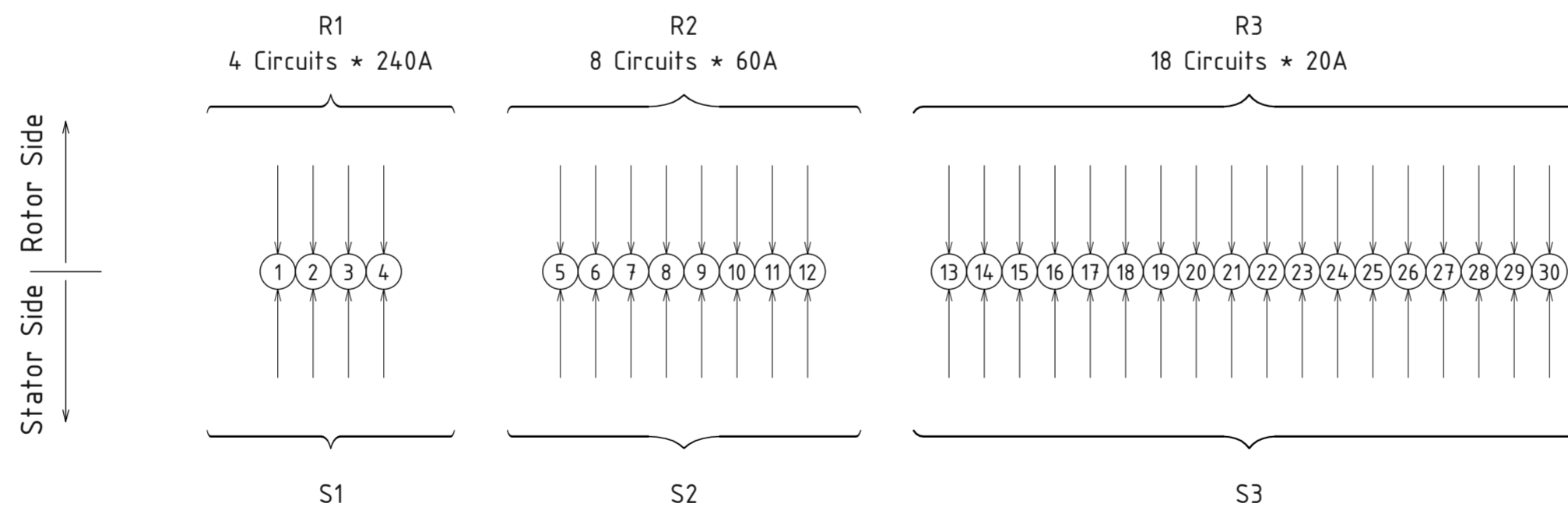


Technical Specifications	
Circuits	30 Circuits: 4x240A+8x60A+18x20A
Rating Voltage	0-500Vac/Vdc
Working Temperature	-20°C ~ +80°C
Working Speed	0-400 rpm
Contact Material	Gold to Gold
Housing Material	Aluminum Alloy
IP Grade	IP54



“WE RESERVE ALL RIGHTS IN CONNECTION WITH THIS DOCUMENT AND IN THE SUBJECT MATTER REPRESENTED THEREIN. THE RECIPIENT HEREBY ACKNOWLEDGES THESE RIGHTS AND SHALL NOT, WITHOUT OUR PRIOR PERMISSION IN WRITING, DISCLOSE OR DIVULGE THIS DOCUMENT IN WHOLE OR IN PART TO THE THIRD PARTIES OR USE IT FOR ANY PURPOSE OTHER THAN THAT FOR WHICH IT WAS DELIVERED TO RECIPIENT.”

ANGULAR TOLERANCE: ±0.5°
TOLERANCE:
>0.5 - 6 ± 0.1
>6 - 30 ± 0.2
>30 - 120 ± 0.3
>120 - 400 ± 0.5
>400 - 1000 ± 0.8
>1000 - 2000 ± 1.2
>2000 - 4000 ± 2.0

CUSTOMER:
APPLICATION:
PROJECTION:



Slip Ring Outline Drawing	
ZEN-X8 RSZQ-24A3-56A3-42A2-S001	
ARTICLE NO:	
Designer: KHK	Date: 18.03.2024
Drawing No: 10070	Rev:1