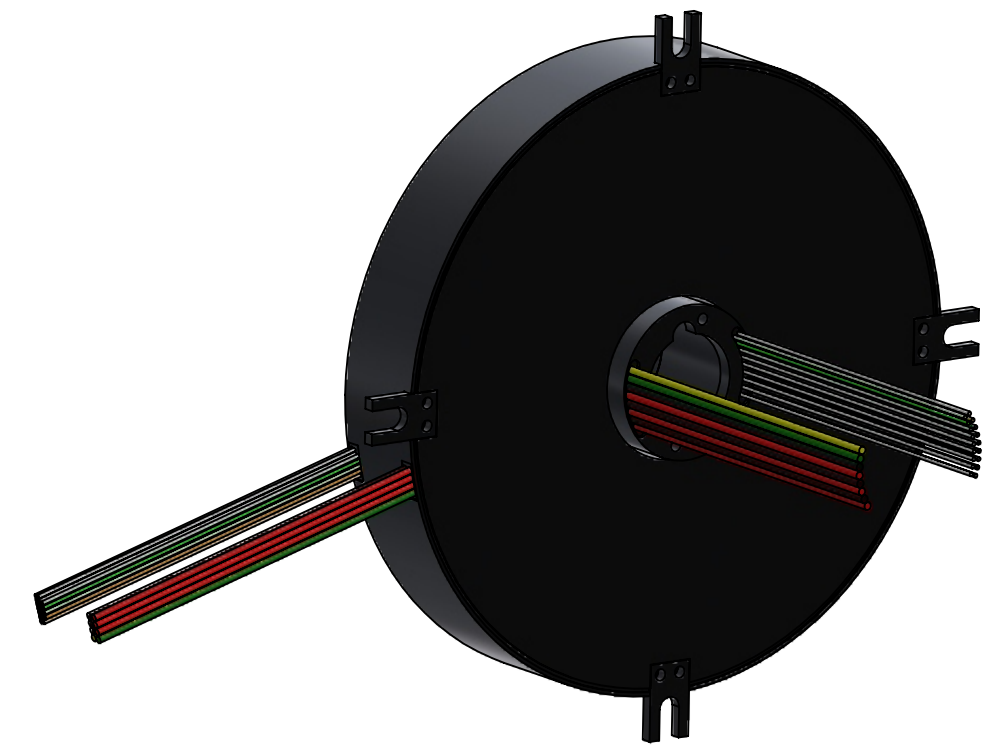
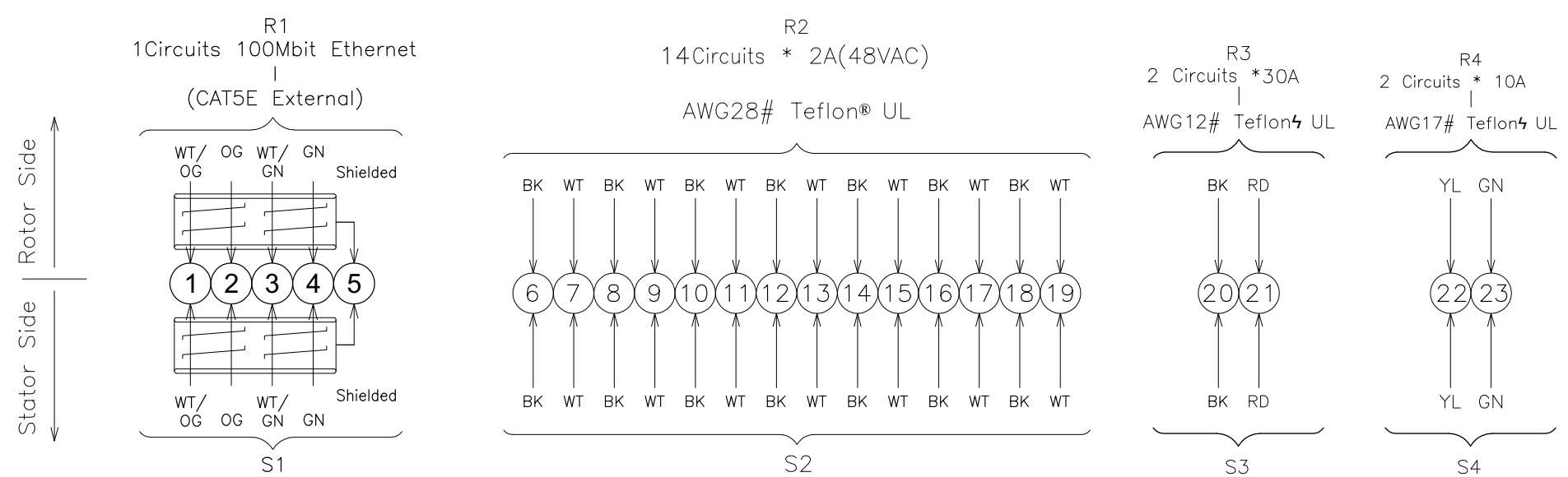


Technical Specifications	
Circuits	23 Circuits 1x100Mbps; 14x2A; 2x30A; 2x10A
Rating Voltage	0-600Vac/Vdc
Dielectric Strength	≥500Vac@50Hz,60s
Insulation Resistance	≥500MΩ@500Vdc
Working Temperature	-20°C - +80°C
Working Humidity	≤60%RH
Working Speed	0-300 rpm
Contact Material	Gold to Gold
Housing Material	Aluminum Alloy (black oxidation)
IP Grade	IP54



“WE RESERVE ALL RIGHTS IN CONNECTION WITH THIS DOCUMENT AND IN THE SUBJECT MATTER REPRESENTED THEREIN. THE RECIPIENT HEREBY ACKNOWLEDGES THESE RIGHTS AND SHALL NOT, WITHOUT OUR PRIOR PERMISSION IN WRITING, DISCLOSE OR DIVULGE THIS DOCUMENT IN WHOLE OR IN PART TO THE THIRD PARTIES OR USE IT FOR ANY PURPOSE OTHER THAN THAT FOR WHICH IT WAS DELIVERED TO RECIPIENT.”

ANGULAR TOLERANCE: ±0.5°
TOLERANCE:
>0.5 - 6 ± 0.1
>6 - 30 ± 0.2
>30 - 120 ± 0.3
>120 - 400 ± 0.5
>400 - 1000 ± 0.8
>1000 - 2000 ± 1.2
>2000 - 4000 ± 2.0

CUSTOMER:
APPLICATION:
PROJECTION:



Slip Ring Outline Drawing

ZEN-X4PC RSZQ-2A4-2A2-E2-14S-J001

ARTICLE NO:		Designer: KHK	Date: 07.03.2024	Drawing No: 10065	Rev:1
-------------	--	---------------	------------------	-------------------	-------