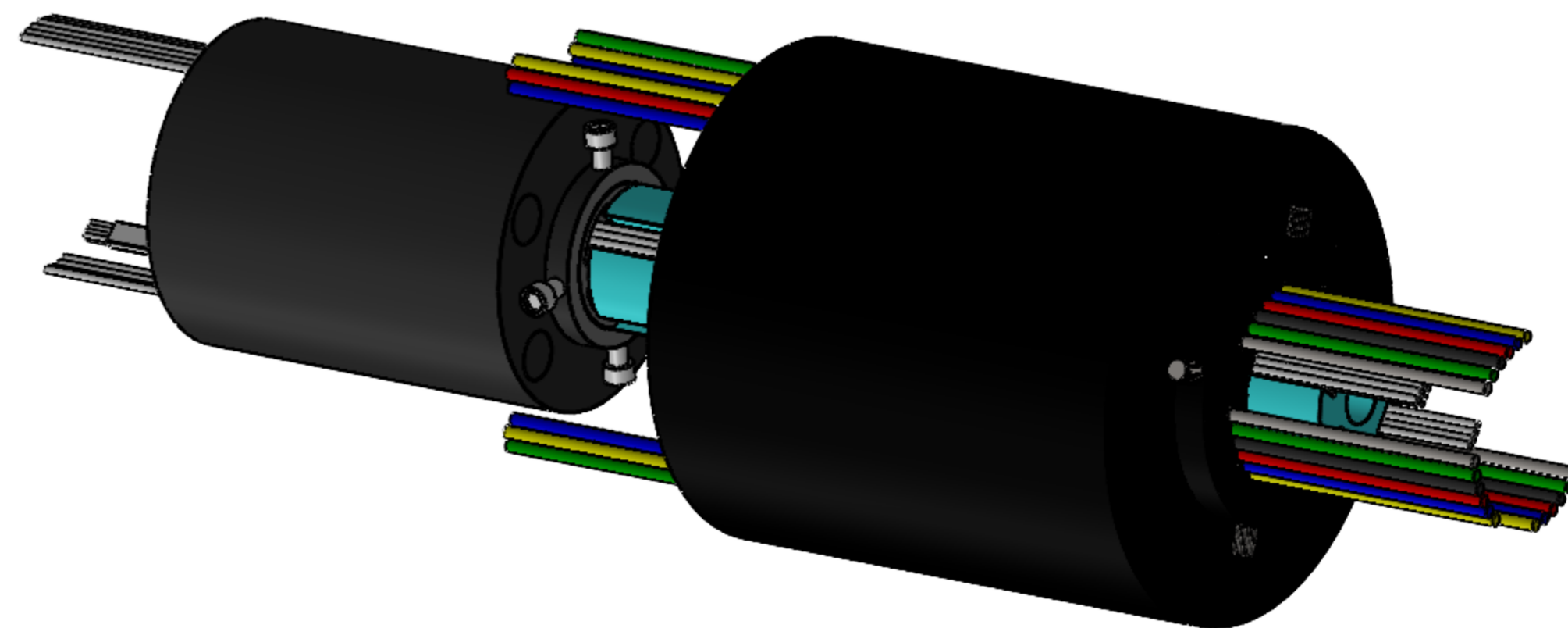


Number of rings:	36 rings
Rated voltage:	0-240VAC/VDC
Rated current:	10A/ring:18 Circuits-5A/ring:10 Circuits 1*Ethernet Signal (1000 Mbps)
Dielectric strength:	300VAC@50Hz,60s
Insulation resistance:	>300MΩ/300VDC
Dynamic contact resistance:	<0.01Ω
Contact material:	Precious metals
Housing material:	Al
Operating temperature:	-20°C≈ +80°C
Operating speed:	0≈ 500 rpm
IP Grade:	IP54



"WE RESERVE ALL RIGHTS IN CONNECTION WITH THIS DOCUMENT AND IN THE SUBJECT MATTER REPRESENTED THEREIN. THE RECIPIENT HEREBY ACKNOWLEDGES THESE RIGHTS AND SHALL NOT, WITHOUT OUR PRIOR PERMISSION IN WRITING, DISCLOSE OR DIVULGE THIS DOCUMENT IN WHOLE OR IN PART TO THE THIRD PARTIES OR USE IT FOR ANY PURPOSE OTHER THAN THAT FOR WHICH IT WAS DELIVERED TO RECIPIENT."

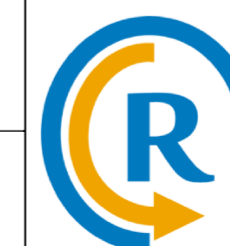
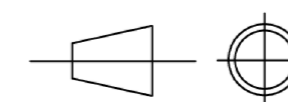
ANGULAR TOLERANCE: ±0,5°

TOLERANCE:
0,5 - 6 ± 0,1
>6 - 30 ± 0,2
>30 - 120 ± 0,3
>120 - 400 ± 0,5
>400 - 1000 ± 0,8
>1000 - 2000 ± 1,2
>2000 - 4000 ± 2,0

CUSTOMER:

APPLICATION:

PROJECTION:



ARTICLE NO:

Designer:
BHI

Date:
18.08.2022

Slip Ring Outline Drawing

ZEN-X4E-18A2-10A1-1E8-MJ01

Drawing No:
N18A21E8

Rev:1