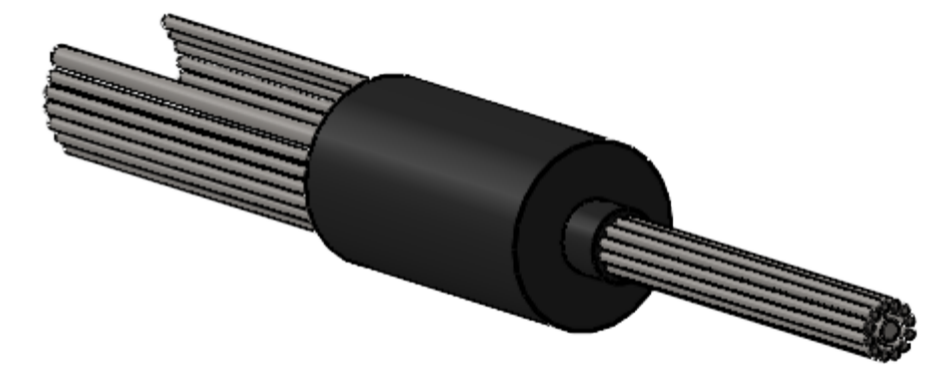
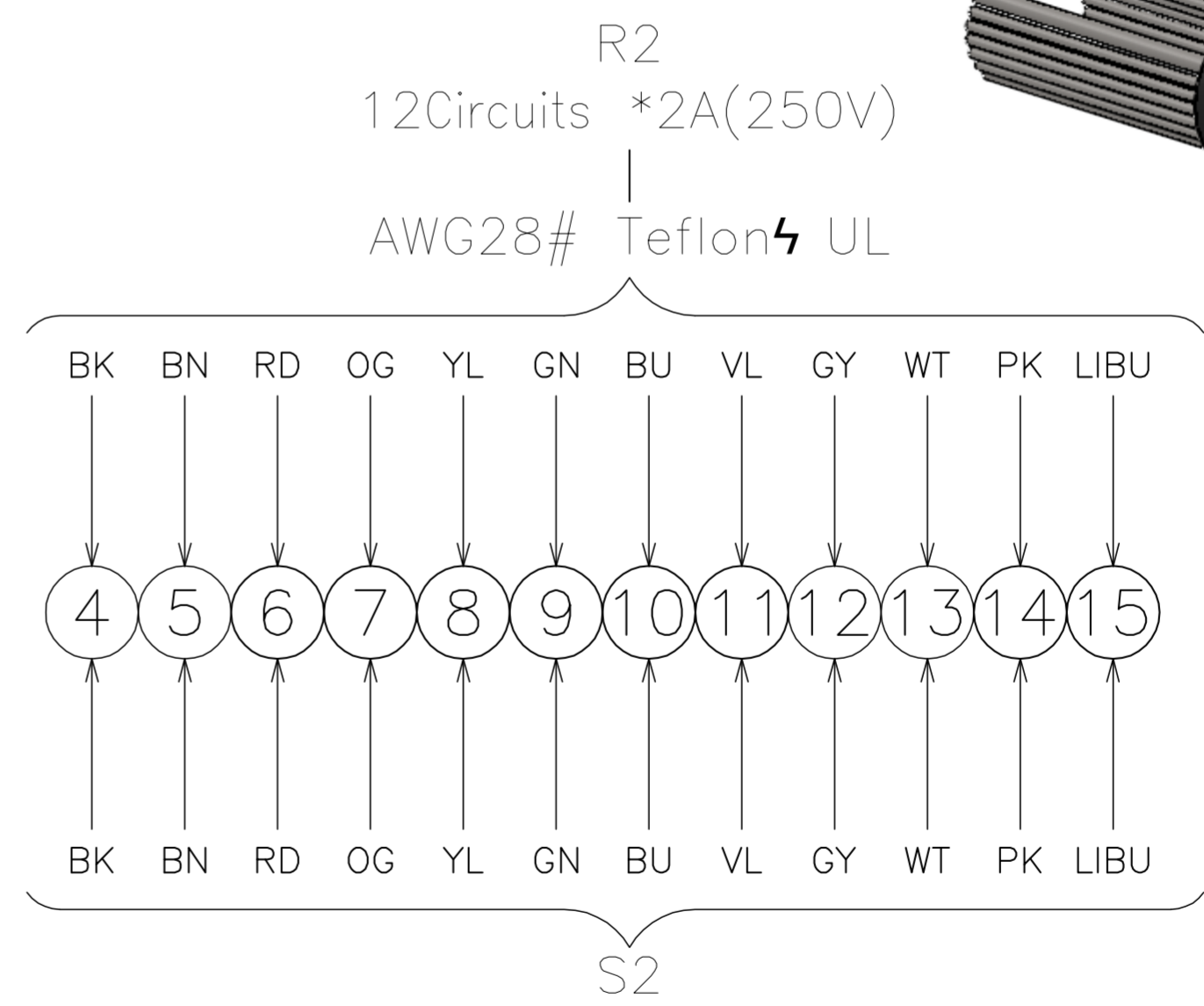
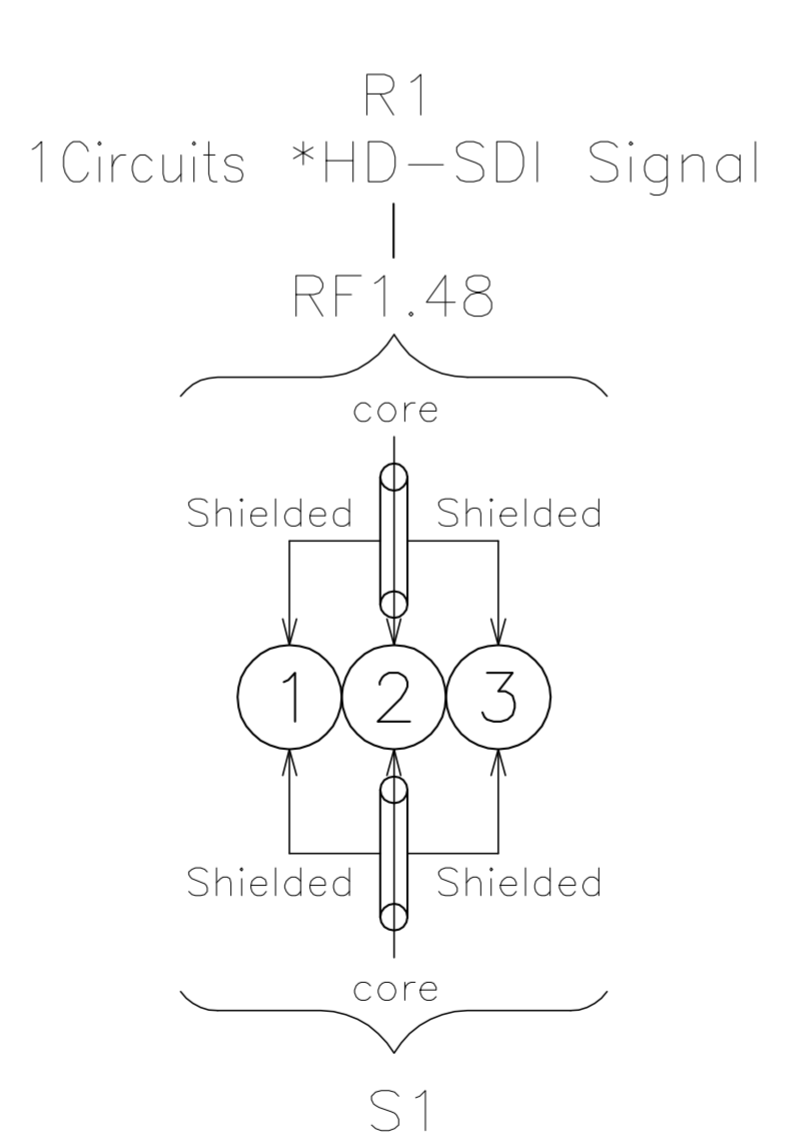


Number of rings:	15 rings
Rated voltage:	0-250VAC/VDC
Rated current:	1Circuits *HD-SDI/12Circuits*2A
Dielectric strength:	500VAC@50Hz,60s
Insulation resistance:	>100MΩ/500VDC
Dynamic contact resistance:	<0.01Ω
Contact material:	Gold to Gold
Housing material:	Engineering plastic
Operating temperature:	-20°C~ +60°C
Operating speed:	0~ 250 rpm
IP Grade:	Ip51

Stator Side Rotor Side



"WE RESERVE ALL RIGHTS IN CONNECTION WITH THIS DOCUMENT AND IN THE SUBJECT MATTER REPRESENTED THEREIN. THE RECIPIENT HEREBY ACKNOWLEDGES THESE RIGHTS AND SHALL NOT, WITHOUT OUR PRIOR PERMISSION IN WRITING, DISCLOSE OR DIVULGE THIS DOCUMENT IN WHOLE OR IN PART TO THE THIRD PARTIES OR USE IT FOR ANY PURPOSE OTHER THAN THAT FOR WHICH IT WAS DELIVERED TO RECIPIENT."

ANGULAR TOLERANCE: ±0,5°
TOLERANCE:
0,5 - 6 ± 0,1
>6 - 30 ± 0,2
>30 - 120 ± 0,3
>120 - 400 ± 0,5
>400 - 1000 ± 0,8
>1000 - 2000 ± 1,2
>2000 - 4000 ± 2,0

CUSTOMER:
APPLICATION:
PROJECTION:

Slip Ring Outline Drawing

ZER-X1HD RSZ-S12-HD1-J001

ARTICLE NO:

Designer: BHI

Date: 27.09.2022

Drawing No: 20208

Rev:1