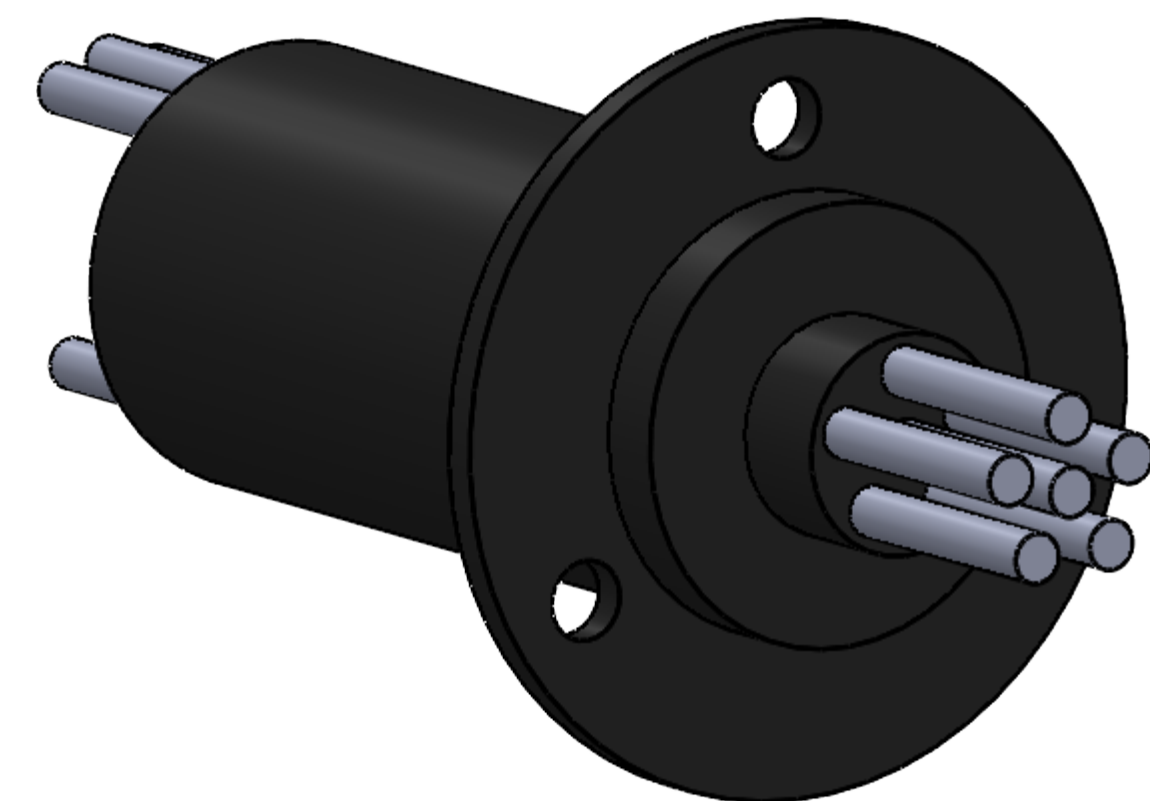
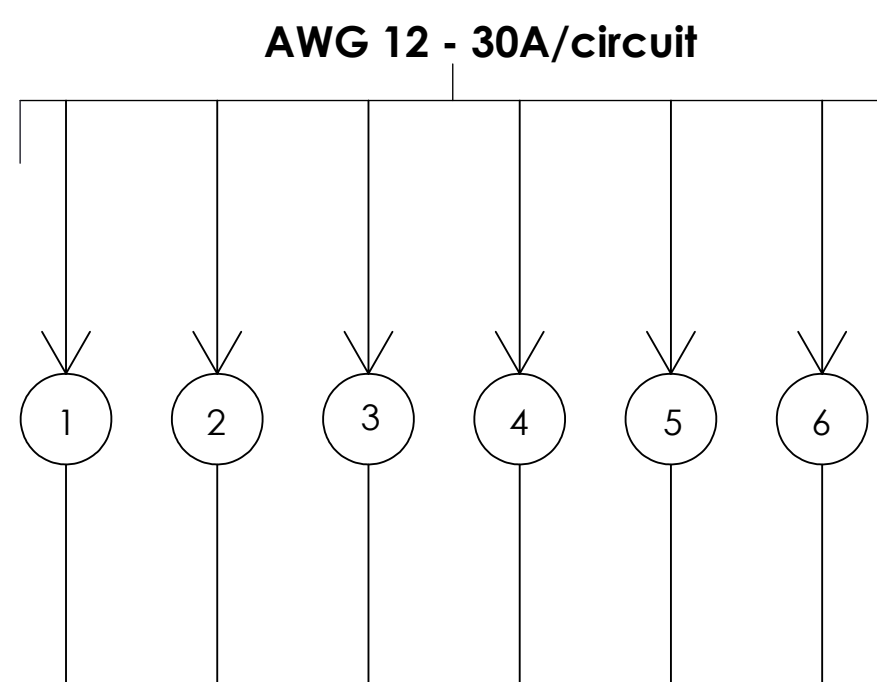


| | |
|-----------------------------|---------------------|
| Number of rings: | 6 rings |
| Rated voltage: | 0-240VAC/VDC |
| Rated current: | 30A/ring |
| Dielectric strength: | 300VAC@50Hz,60s |
| Insulation resistance: | >300MΩ/300VDC |
| Dynamic contact resistance: | <0.01Ω |
| Contact material: | Precious metals |
| Housing material: | Engineering plastic |
| Operating temperature: | -20°C~ +80°C |
| Operating speed: | 0≈ 500 rpm |
| IP Grade: | IP51 |



"WE RESERVE ALL RIGHTS IN CONNECTION WITH THIS DOCUMENT AND IN THE SUBJECT MATTER REPRESENTED THEREIN. THE RECIPIENT HEREBY ACKNOWLEDGES THESE RIGHTS AND SHALL NOT, WITHOUT OUR PRIOR PERMISSION IN WRITING, DISCLOSE OR DIVULGE THIS DOCUMENT IN WHOLE OR IN PART TO THE THIRD PARTIES OR USE IT FOR ANY PURPOSE OTHER THAN THAT FOR WHICH IT WAS DELIVERED TO RECIPIENT."

| |
|--------------------------|
| ANGULAR TOLERANCE: ±0,5° |
| TOLERANCE: |
| 0,5 - 6 ± 0,1 |
| >6 - 30 ± 0,2 |
| >30 - 120 ± 0,3 |
| >120 - 400 ± 0,5 |
| >400 - 1000 ± 0,8 |
| >1000 - 2000 ± 1,2 |
| >2000 - 4000 ± 2,0 |

| |
|--------------|
| CUSTOMER: |
| APPLICATION: |
| PROJECTION: |

| | | |
|-------------|---------------------------|------------------|
| | Slip Ring Outline Drawing | |
| | ZER X7-RSZ-M73-A4-D001 | |
| ARTICLE NO: | Designer: BHI | Date: 25.05.2022 |
| | Drawing No: 7003 | Rev:1 |