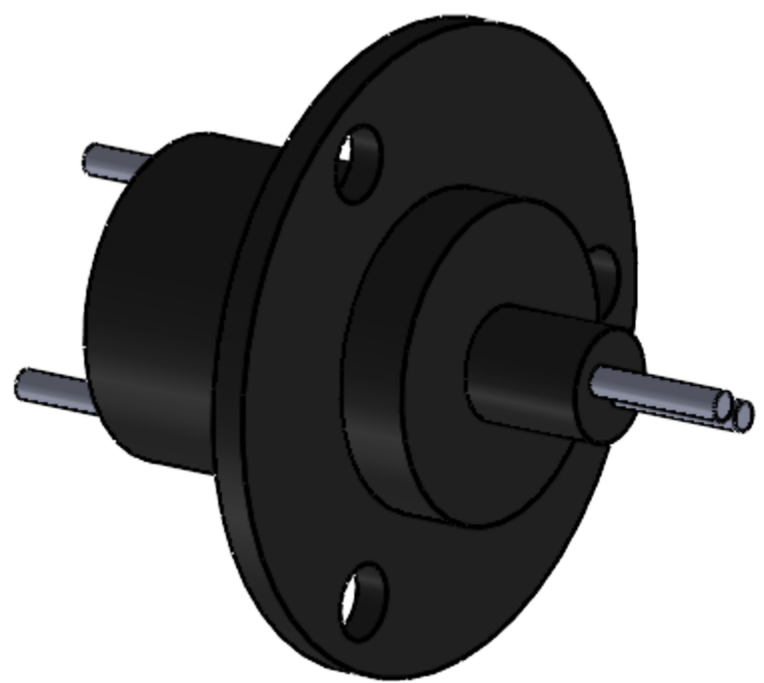
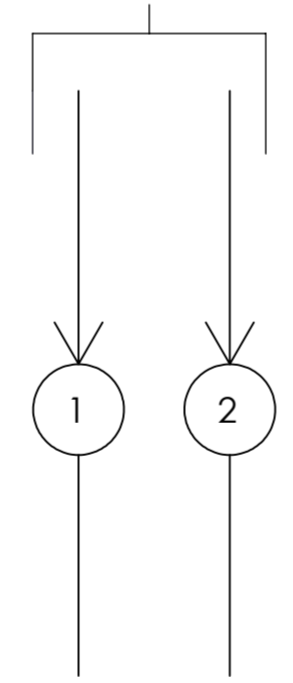


Number of rings:	2 rings
Rated voltage:	0-240VAC/VDC
Rated current:	10A/ring
Dielectric strength:	300VAC@50Hz,60s
Insulation resistance:	>300MΩ/300VDC
Dynamic contact resistance:	<0.01Ω
Contact material:	Precious metals
Housing material:	Engineering plastic
Operating temperature:	-20°C~ +80°C
Operating speed:	0≈ 250 rpm
IP Grade:	IP51

AWG 17 - 10A/circuit



"WE RESERVE ALL RIGHTS IN CONNECTION WITH THIS DOCUMENT AND IN THE SUBJECT MATTER REPRESENTED THEREIN. THE RECIPIENT HEREBY ACKNOWLEDGES THESE RIGHTS AND SHALL NOT, WITHOUT OUR PRIOR PERMISSION IN WRITING, DISCLOSE OR DIVULGE THIS DOCUMENT IN WHOLE OR IN PART TO THE THIRD PARTIES OR USE IT FOR ANY PURPOSE OTHER THAN THAT FOR WHICH IT WAS DELIVERED TO RECIPIENT."

ANGULAR TOLERANCE: ±0,5° TOLERANCE: 0,5 - 6 ± 0,1 >6 - 30 ± 0,2 >30 - 120 ± 0,3 >120 - 400 ± 0,5 >400 - 1000 ± 0,8 >1000 - 2000 ± 1,2 >2000 - 4000 ± 2,0	CUSTOMER:		Slip Ring Outline Drawing			
	APPLICATION:		ZER-X5 RSZ-K250-A2-S001			
	PROJECTION:		ARTICLE NO:			
		Designer: BHI	Date: 24.05.2022	Drawing No: 5K250	Rev: 1	