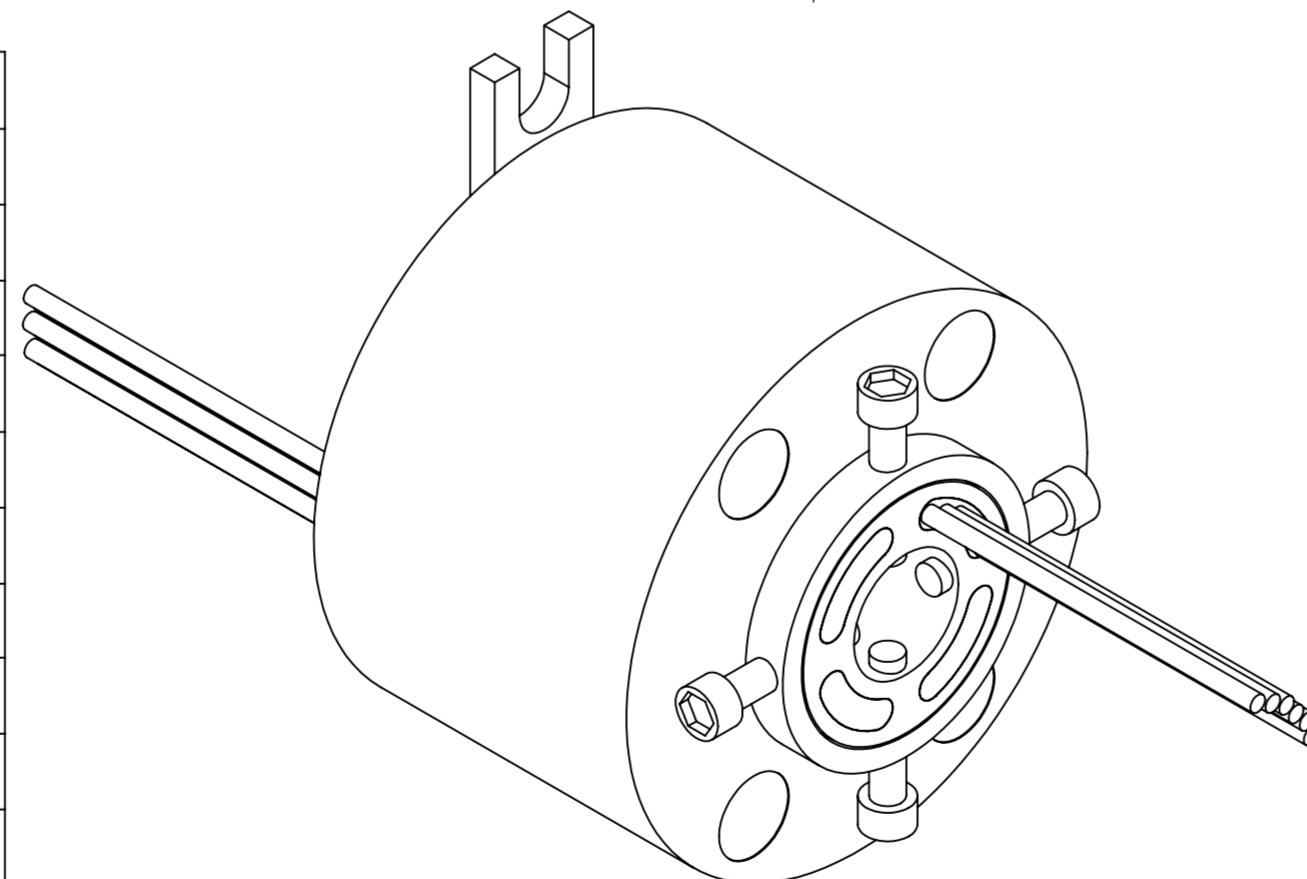
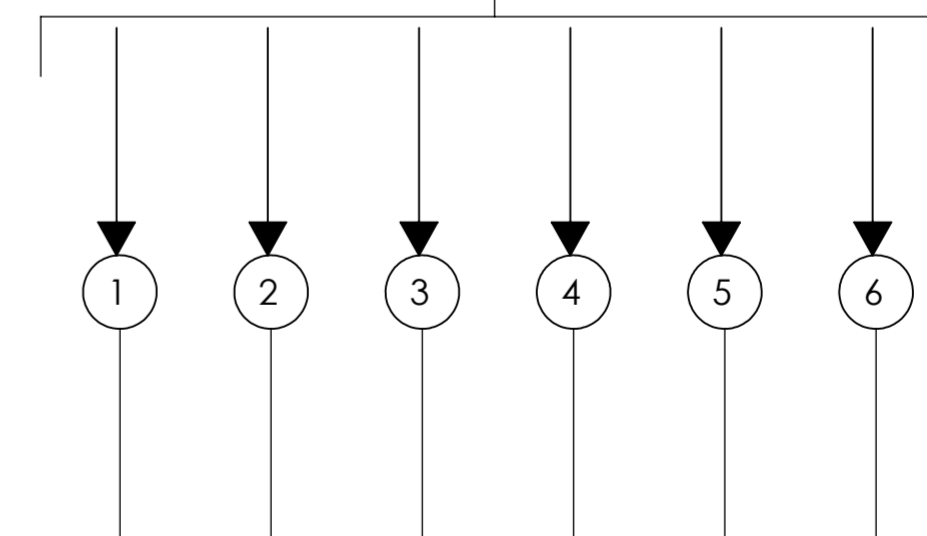


Number of rings:	6 rings
Rated voltage:	0-440VAC/VDC
Rated current:	10A/ring
Dielectric strength:	1000VAC@50Hz,60s
Insulation resistance:	>600MΩ/500VDC
Dynamic contact resistance:	<0.01Ω
Contact material:	Precious metals
Housing material:	Al + Engineering plastic
Operating temperature:	-20°C~ +80°C
Operating speed:	0≈ 600 rpm
IP Grade:	IP51



AWG 17 - 10A/circuit



"WE RESERVE ALL RIGHTS IN CONNECTION WITH THIS DOCUMENT AND IN THE SUBJECT MATTER REPRESENTED THEREIN. THE RECIPIENT HEREBY ACKNOWLEDGES THESE RIGHTS AND SHALL NOT, WITHOUT OUR PRIOR PERMISSION IN WRITING, DISCLOSE OR DIVULGE THIS DOCUMENT IN WHOLE OR IN PART TO THE THIRD PARTIES OR USE IT FOR ANY PURPOSE OTHER THAN THAT FOR WHICH IT WAS DELIVERED TO RECIPIENT."

ANGULAR TOLERANCE: ±0,5°
TOLERANCE:
0,5 - 6 ± 0,1
>6 - 30 ± 0,2
>30 - 120 ± 0,3
>120 - 400 ± 0,5
>400 - 1000 ± 0,8
>1000 - 2000 ± 1,2
>2000 - 4000 ± 2,0

CUSTOMER:
APPLICATION:
PROJECTION:

	Slip Ring Outline Drawing	
	ZEN-X3-0610	
ARTICLE NO:	Designer: BHI	Date: 11.06.2021
	Drawing No: 1007	Rev:1